



MEMBER

VEHICLE INSPECTION REPORT

Report Number

000054

Report Date

7/4/09

Information you need to know about this inspection.

What we check:

- We visually check only the items listed on this report. We have inserted different codes into the boxes to tell you how an item may be affected.
- We cannot tell you about a defect if we cannot see it or it does not appear during the road test and inspection.

What we don't check

Oil and fuel consumption
Source of a leak if the area is dirty
Oil pump strainer for any build-up of sludge
Engine cylinder compression
Operation of a cassette or compact disk players and DVD's
Sound or radio reception
Navigation systems
Alarm systems
Bodywork water leaks or their source
Airbag functionality
Camshaft / timing belt condition

We have not dismantled, removed or stripped any part of this vehicle (unless at The Toymaker workshop). The road test, if conducted, was carried out within the immediate confines of the inspection location and the local speed limits.

The report on the condition of this vehicle is made with all care taken on the basis of a visual check of the items listed in the inspection report. This report is not a warranty or guarantee for any purpose and is only valid at the inspection date. To the extent permitted by law, we exclude all conditions and warranties that may be implied by law.

In no way shall the Toymaker or any of its inspectors be held liable or responsible for any claim whatsoever in connection with your decision whether or not to purchase the vehicle.

We also recommend that you seek a qualified second opinion.



<u>Make and model</u> HOLDEN HZ PANEL VAN 1979	<u>VIN / Chassis number</u> CH288244
<u>Registration number</u> UNREGISTERED	<u>Registration expiry date</u> UNREGISTERED
<u>Compliance plate date</u> 9/79	<u>Odometer reading</u> 358673KMS
<u>Engine number</u> OL998179	

CODES USED TO SHOW HOW AN ITEM MAY BE AFFECTED

G Good	X A defect requiring immediate repair. It could affect the vehicle's road worthiness, safety or reliability
S Satisfactory	NC The item was not checked. If this code is inserted in an item box, it means the component(s) may need to be checked for wear and tear
M Minor item. It may be cosmetic or should be checked regularly for further deterioration	N/A Not applicable

INTERIOR

1	G	Seat belts	2	X	Seat mounts	3	G	Seat and other trim	4	S	Door / child locks, hinges
5	G	Window operation	6	G	Horn	7	S	Dash / warning lights, gauges	8	S	Washers and wipers
9	S	Heater / demister	10	S	Radio controls	11	X	All lights	12	NA	Rear window demister
13	NA	Air conditioning	14		Other						

INTERIOR COMMENTS

2. BOLTS MISSING FROM PASSENGER SEAT RAIL
 11. NO NUMBER PLATE LIGHTS.
 BAD EARTH LEFT HAND REAR TAIL LIGHT

ENGINE COMPARTMENT

15	S	Fumes / Smoke	16	S	Noises	17	S	Fluid levels	18	M	Fluid leaks
19	S	Mountings	20	S	Emission controls (visual)	21	M	Drive belts, pulleys	22	G	Battery, charging system
23	S	Radiator and cap	24	M	Hoses and pipes	25	G	Water pump, cooling fan	26	S	Ignition system (visual check)
27	M	Fuel system	28		Other						

ENGINE COMPARTMENT COMMENTS

18. EVIDENCE OF OIL SEEPAGE ON MOTOR
 21. BELT NEEDS ADJUSTING
 24. SOME HOSES DETERIORATING
 27. CARBY SHOWS EVIDENCE OF WEEPAGE

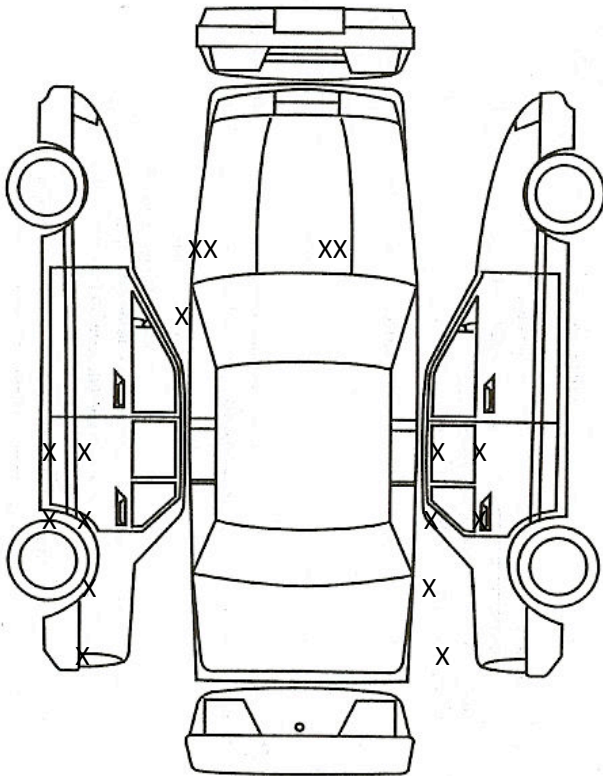
EXTERIOR

69	G	Glass and mirrors	70	G	Bonnet and boot struts / locks	71	NA	Sun roof / convertible	72	G	Rubbers
73	M	Exterior trim	74	S	Boot interior	75		Other			

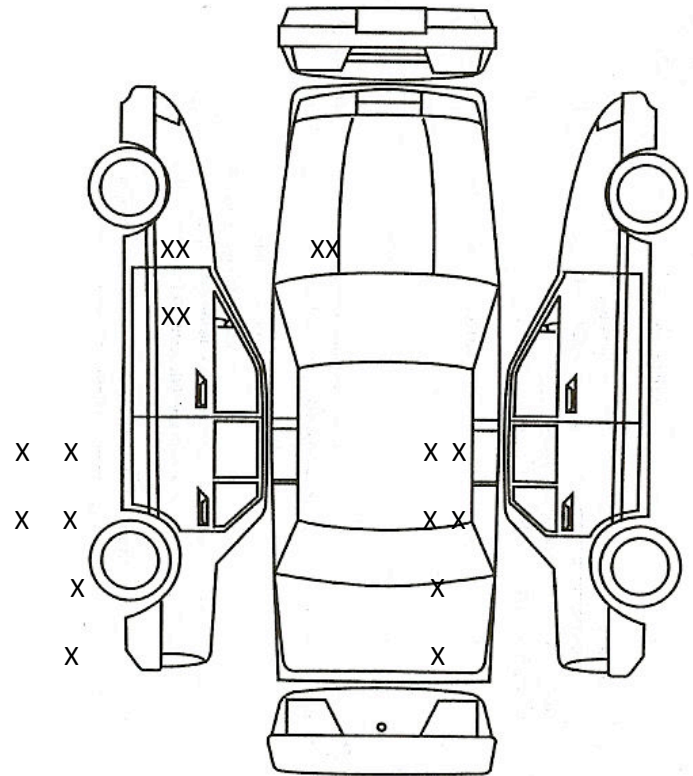
EXTERIOR COMMENTS

73. TAIL LIGHT LENSE CRACKED. BUMPER AND MIRROR CHROME DETERIORATED. THE REST IS PRETTY GOOD

PAINT



RUST



OVERALL COMMENT

PAINT. VEHICLE HAS BEEN RESPRAYED. IS BLISTERING WHERE RUST IS. PAINT IS REASONABLE OTHERWISE. RUST. RUST IS PRESENT UNDER DASH ON PASSENGER SIDE. EVIDENCE OF WATER LEAKS UNDER DASH. RUST ON FRONT SCUTTLE. RUSTING WHERE PANEL VAN TOP MEETS BODY. EVIDENCE OF RUST IN SILLS.

FOR THE AGE AND KILOMETRES IT IS NOT TOO BAD AN EXAMPLE OF THIS MODEL. NEEDS A BIT OF WORK TO BRING IT UP TO SCRATCH. DRIVES OK.